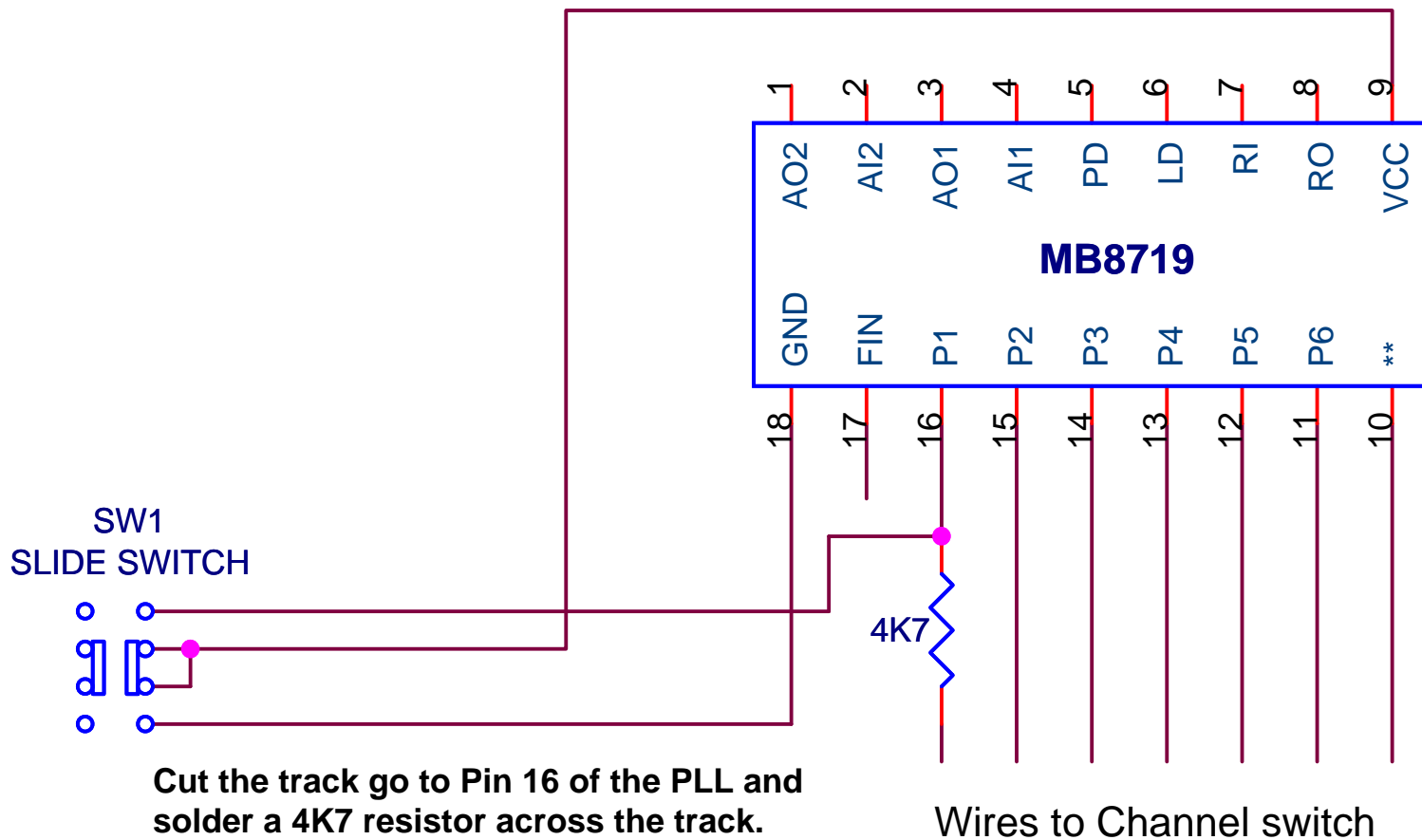


You can use any slide switch like SWR/CAL/POWER or On-Off-On



DRAWN BY: Rick Jackson Euro Radio Co

Title		MB8719 10Kc Jump	
Size	Document Number	Rev	
	MB8719_10K_JUMP.SCH	1.1	
Date:	Wednesday, May 09, 2007	Sheet	1 of 1