

This Information Is Provided By  
***CBTricks.com***

How to install the Powerband RFX75  
on a RCI2950DX radio.

**Liability of damages to any equipment is the sole responsibility of the user!**  
**Downloading, viewing, or using any information provided on these pages**  
**automatically accepts the user to the terms of this agreement!**  
**Modifications are provided for information purposes only!**  
Supporters of CBTricks.com paid for the hosting so you would have this file.

CBTricks.com is a non-commercial personal website was created to help promote the exchange of service, modification, technically oriented information, and historical information aimed at the Citizens Band, GMRS (CB "A" Band), MURS, Amateur Radios and RF Amps.

CBTricks.com is not sponsored by or connected to any Retailer, Radio, Antenna Manufacturer or Amp Manufacturer, or affiliated with any site links shown in the links database. The use of product or company names on my web site is not endorsement of that product or company.

The site is supported with donations from users, friends and selling of the Site Supporters DVD's to cover some of the costs of having this website on the Internet instead of relying on banner ads, pop-up ads, commercial links, etc. Thus I do not accept advertising banners or pop-up/pop-under advertising or other marketing/sales links or gimmicks on my website.

All the money from donations is used for CBTricks.com I didn't do all the work to make money (I have a day job). This work was not done for someone else to make money also, for example the eBay CB sellers.

All Trademarks, Logos, and Brand Names are the property of their respective owners.  
This information is not provided by, or affiliated in any way with any radio or antenna Manufacturers.

**Thank you for any support you can give.**

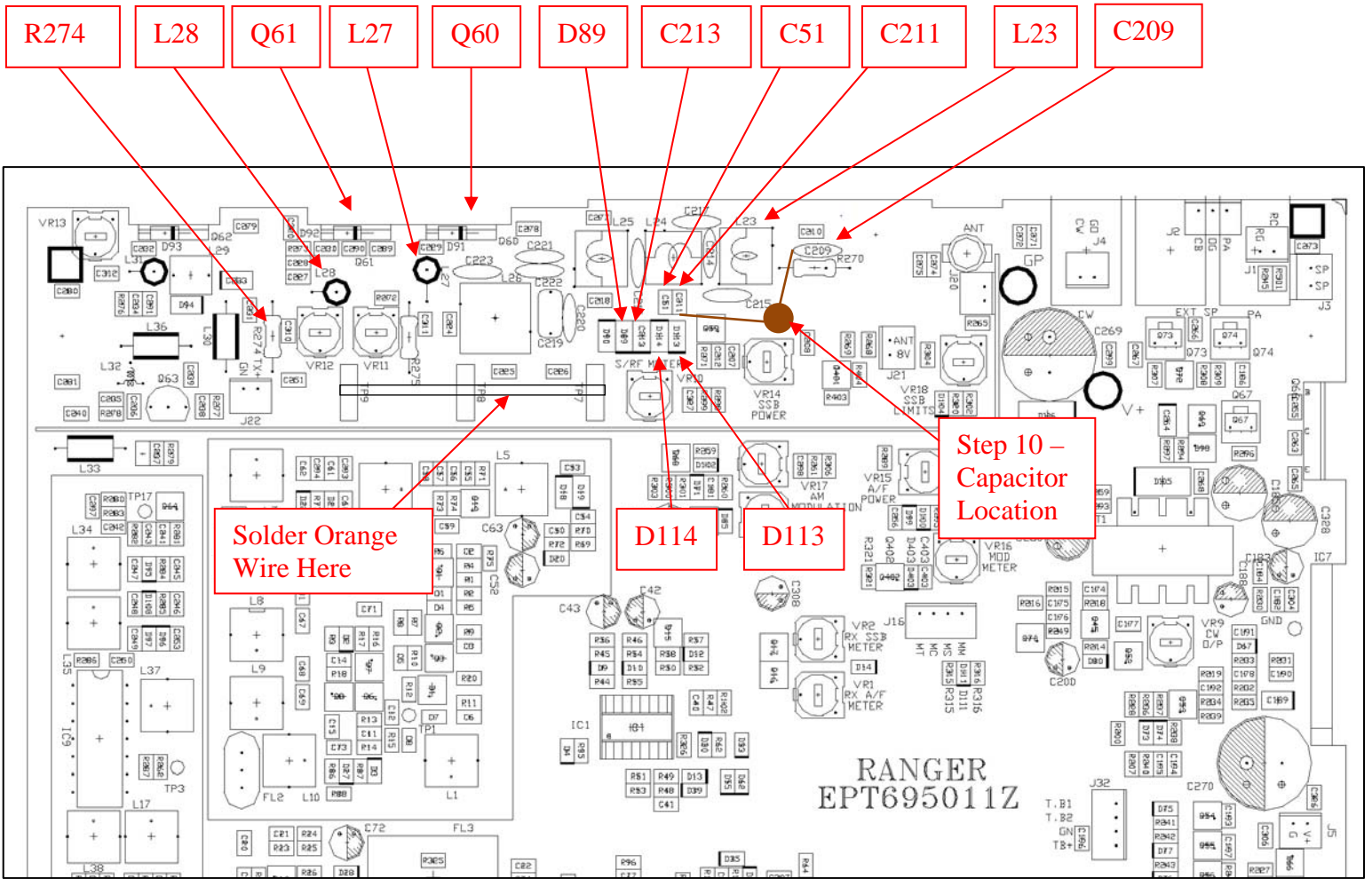
For information on how to Support CBTricks.com  
<http://www.cbtricks.com/support/>

The user is solely responsible for making sure that any modifications made to the radio unit must meet all Federal and State Regulations or the Country of use! Liability of damages to any equipment is the sole responsibility of the user! Downloading, viewing, or using any information provided on these pages automatically accepts the user to the terms of this agreement! Modifications are provided for information purposes only! Disclaimer: CBTricks.com does not warrant the accuracy of the information contained herein nor is it responsible for any errors or omissions and assumes no liability for the content on this site. While CBTricks.com uses reasonable efforts to include accurate and up to date information, CBTricks.com makes no warranties or representations as to its accuracy or timeliness and assumes no liability or responsibility for any errors or omissions in the content of this site.

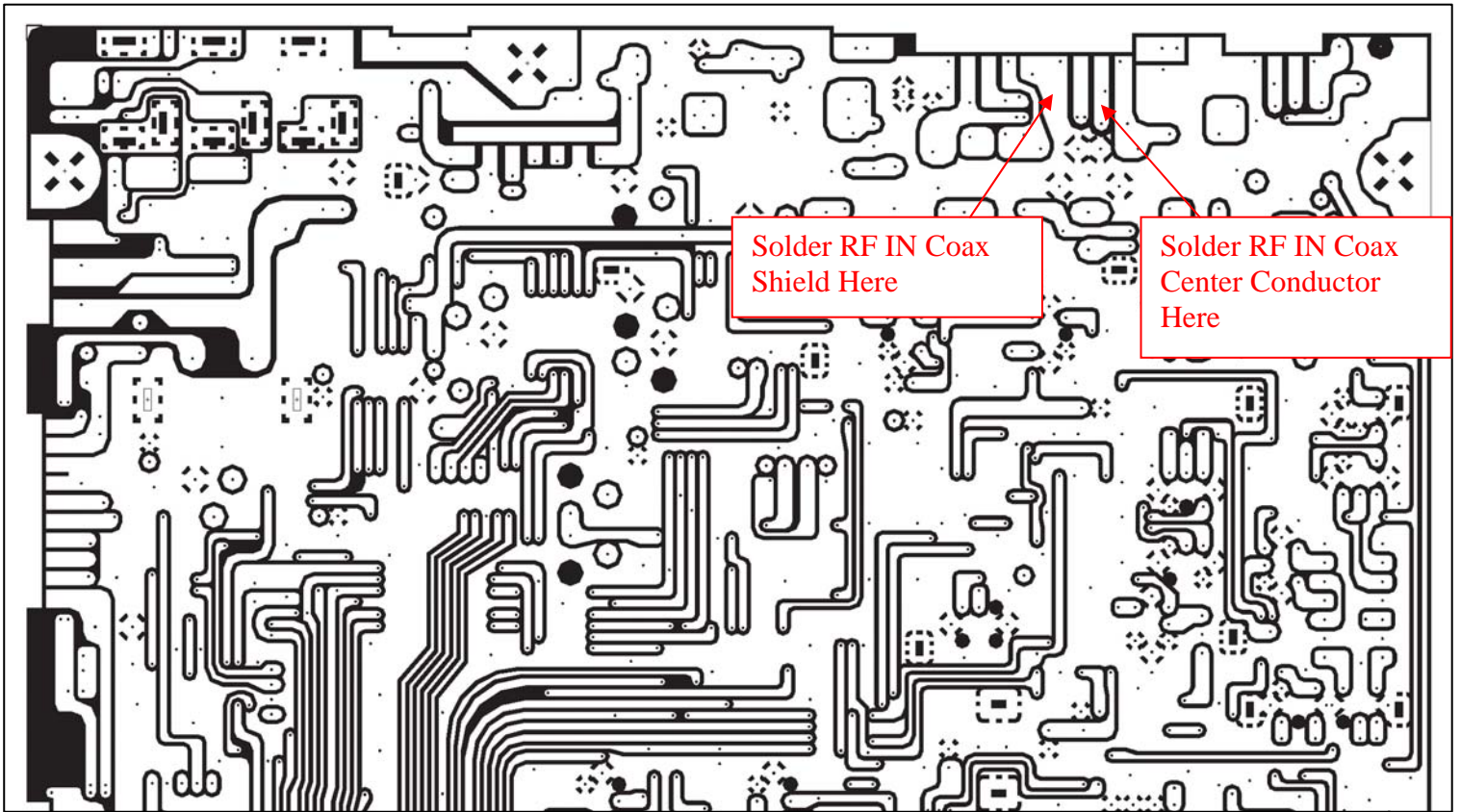
## RFX75 – RCI2950DX Installation

1. Remove D89, C51, C209, C213, L23, L27, L28, Q60, and Q61 from the radio.
2. Drill and mount the RFX75 on the back of the radio using the supplied hardware.
3. Solder the Red and Black wires to the back of the DC power jack (observe polarity!).
4. On the component side of the board. Solder the RX OUT coax center conductor to the junction of D113 and D114 that is closest to the rear panel of the radio. Solder the coax shield to DC Ground.
5. On the bottom side of the PCB, solder the RF IN coax center conductor to the right hand trace where Q61 was removed. Solder the coax shield to DC ground (left hand trace of Q61).
6. Solder the RF OUT coax center conductor to the hole of C209 that is closest to L23 (left side hole as shown on diagram below). Solder the coax shield to chassis ground.
7. Solder the Blue wire to the hole of R274 that is closest to the front panel of the radio.
8. Solder the Yellow wire to the solder pad of D89 that is closest to the front panel of the radio.
9. Solder the Orange wire to the Shorting bar that connects TP7, TP8, and TP9.
10. If you want to reconnect the ALC circuit, remove C211 and solder a 1pF to 3pF ceramic disc capacitor from the solder pad of C211 that is closest to the front panel of the radio to the RF OUT coax center conductor at C209.
11. After double checking all connections re-tune the transmit and receive. Do not set carrier higher than 15 watts!

The user is solely responsible for making sure that any modifications made to the radio unit must meet all Federal and State Regulations or the Country of use! Liability of damages to any equipment is the sole responsibility of the user! Downloading, viewing, or using any information provided on these pages automatically accepts the user to the terms of this agreement! Modifications are provided for information purposes only! Disclaimer: CBTricks.com does not warrant the accuracy of the information contained herein nor is it responsible for any errors or omissions and assumes no liability for the content on this site. While CBTricks.com uses reasonable efforts to include accurate and up to date information, CBTricks.com makes no warranties or representations as to its accuracy or timeliness and assumes no liability or responsibility for any errors or omissions in the content of this site.



The user is solely responsible for making sure that any modifications made to the radio unit must meet all Federal and State Regulations or the Country of use! Liability of damages to any equipment is the sole responsibility of the user! Downloading, viewing, or using any information provided on these pages automatically accepts the user to the terms of this agreement! Modifications are provided for information purposes only! Disclaimer: CBTricks.com does not warrant the accuracy of the information contained herein nor is it responsible for any errors or omissions and assumes no liability for the content on this site. While CBTricks.com uses reasonable efforts to include accurate and up to date information, CBTricks.com makes no warranties or representations as to its accuracy or timeliness and assumes no liability or responsibility for any errors or omissions in the content of this site.



The user is solely responsible for making sure that any modifications made to the radio unit must meet all Federal and State Regulations or the Country of use! Liability of damages to any equipment is the sole responsibility of the user! Downloading, viewing, or using any information provided on these pages automatically accepts the user to the terms of this agreement! Modifications are provided for information purposes only! Disclaimer: CBTricks.com does not warrant the accuracy of the information contained herein nor is it responsible for any errors or omissions and assumes no liability for the content on this site. While CBTricks.com uses reasonable efforts to include accurate and up to date information, CBTricks.com makes no warranties or representations as to its accuracy or timeliness and assumes no liability or responsibility for any errors or omissions in the content of this site.